

# PATENT ABSTRACTS OF JAPAN

(11)Publication number : 2002-065891  
(43)Date of publication of application : 05.03.2002

(51)IntCl. A63B 23/04  
A61B 5/00  
A63B 69/00  
// A61H 1/02

(21)Application number : 2000-264260

(71)Applicant : DAICH KOSHO CO LTD  
UNIV KANSAI MEDICAL

(22)Date of filing : 31.08.2000

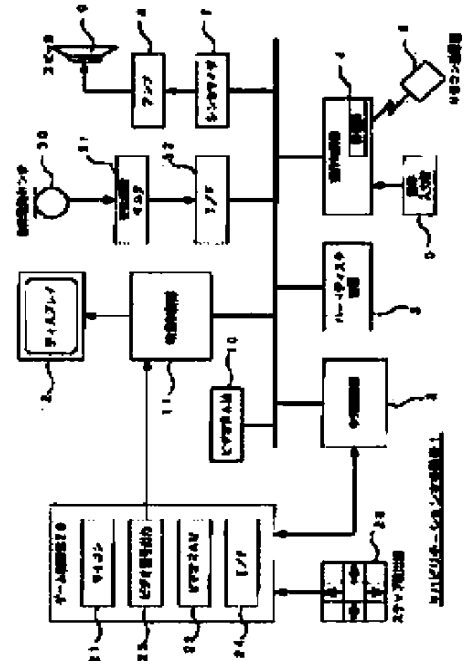
(72)Inventor : TOYOSAWA MASAO  
HAYANO KATSUMI  
KMURA MNORU

## (54) REHABILITATION SUPPORT DEVICE

(57)Abstract:

PROBLEM TO BE SOLVED : To provide a rehabilitation support device using a step game for medical purpose.

SOLUTION : This rehabilitation support device is provided with a music output means for acoustically outputting the appropriate music, a step indication display means for outputting in ages for indicating steps for a user with the progress of the music, a step detecting means for detecting the step condition of the user, a gain computing means for counting the gain in response to the degree of coincidence of the step indication in age with the step condition, a sensor for detecting the organism activity of the user such as heartbeat, an organism information monitor means for displaying the organism activity data obtained by appropriately making the data of the organism activity on the basis of the detecting signal of the sensor, a reference data setting means for setting the reference data in relation to the organism activity data, and an informing means for outputting an alarm when detecting the predetermined condition on the basis of a comparison of the organism activity data of the user with the reference data.



(19) 日本国特許庁 (J P)

(12) 公開特許公報 (A)

(11) 特許出願公開番号  
特開2002-65891  
(P2002-65891A)

(43) 公開日 平成14年3月5日(2002.3.5)

(51) Int.Cl. <sup>7</sup>	識別記号	F I	テマコード <sup>*</sup> (参考)
A 6 3 B 23/04		A 6 3 B 23/04	A
A 6 1 B 5/00		A 6 1 B 5/00	D
A 6 3 B 69/00		A 6 3 B 69/00	B
	5 1 4		5 1 4
// A 6 1 H 1/02		A 6 1 H 1/02	G
審査請求 有 請求項の数9 OL (全 8 頁) 最終頁に続く			

(21) 出願番号 特願2000-264260(P2000-264260)

(22) 出願日 平成12年8月31日(2000.8.31)

(71) 出願人 390004710

株式会社第一興商  
東京都品川区北品川5丁目5番26号

(71) 出願人 500409219

学校法人関西医科大学  
大阪府守口市文圃町10-15

(72) 発明者 豊澤 正夫

東京都品川区北品川5-5-26 株式会社  
第一興商内

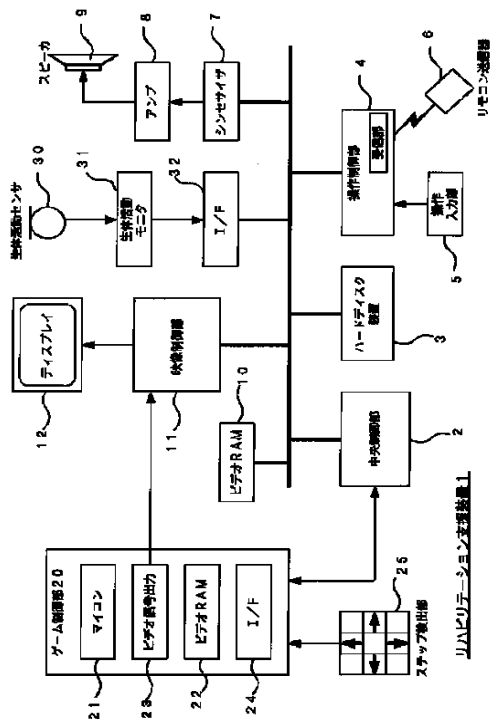
(74) 代理人 100071283

弁理士 一色 健輔 (外3名)

最終頁に続く

(54) 【発明の名称】 リハビリテーション支援装置

(57) y v æ  
y ㄣ X e b v Q [ a ˆ ㄣ  
r e [ V x ㄣ  
y ㄣ z K X " y " ㄣ Y  
ˆ ㄣ i ˆ A " y i s ] ㄣ  
v w f ㄣ Ø ˆ ㄣ ㄣ  
p X e b v ˆ X e b ㄣ  
X e b v w f ˆ X e b ㄣ  
\_ v a ㄣ Ø ㄣ Z o ㄣ i ㄣ  
Ø \_ ㄣ f ㄣ i ㄣ A S ㄣ ㄣ  
Ø % ㄣ Z T A » Z ㄣ  
L ㄣ f i K X f [ ㄣ ^ ㄣ ㄣ  
Ø ㄣ ㄣ f [ ㄣ ^ ㄣ ㄣ ㄣ  
ˆ ㄣ A ㄣ p ㄣ ' ㄣ ㄣ ㄣ  
[ ㄣ ^ ㄣ ㄣ r ㄣ ㄣ ㄣ  
ˆ ㄣ ㄣ Ø æ m ㄣ i ㄣ ㄣ  
ˆ ㄣ ㄣ







5

M o " Q R A n 5  
Q T ^ t ) C R Q P ~ 5  
n A Q [ A S [ X i h ^ e 5  
Q T " A p " X O e b v 5  
) b g A » ° u f [ ^ 5  
E S J X z ¶ fi Z 5  
y O O P X z ¶ E ~ z E 10  
p † E A ¶ R P " ¶ Ø B » 10  
fi [ ^ » ~ R Q o " · Ø B » 10  
f [ r Q R Q b " · j h 10  
. q ] o · E A - - - fi ~ 10  
Q " A T R O ~ ~ A ¶ 10  
« Ø B S ^ † ~ S T R O ' v Z 20  
y O O Q O z / A n [ h f 20  
[ ^ " · " Y ¶ < N " Q 20  
E ~ † Ø B j ' A » T C U V 20  
i T A U j Ø ~ A » T C U V 20  
f [ ^ % " Y L " " M 20  
¶ < % [ J X P z " n A t † ° " 30  
y O O Q P z " % A i K X † ° " 30  
~ † Ø B E f , A i K X † ° " 30  
L A " y ~ ~ ' ¶ » y " 30  
f [ ^ i Q " " Ø y " 30  
S ~ Q " " Ø y " 30  
y O O Q Q z - x u P 40  
v Q [ † E Ø B fl Ø X e b v 40  
Ø % f [ A ^ ~ fl œ M " y ~ 40  
w f f [ s / B Y " ~ A C 40  
- - Y N - · Ø B » ~ ~ A C 40  
- - M B

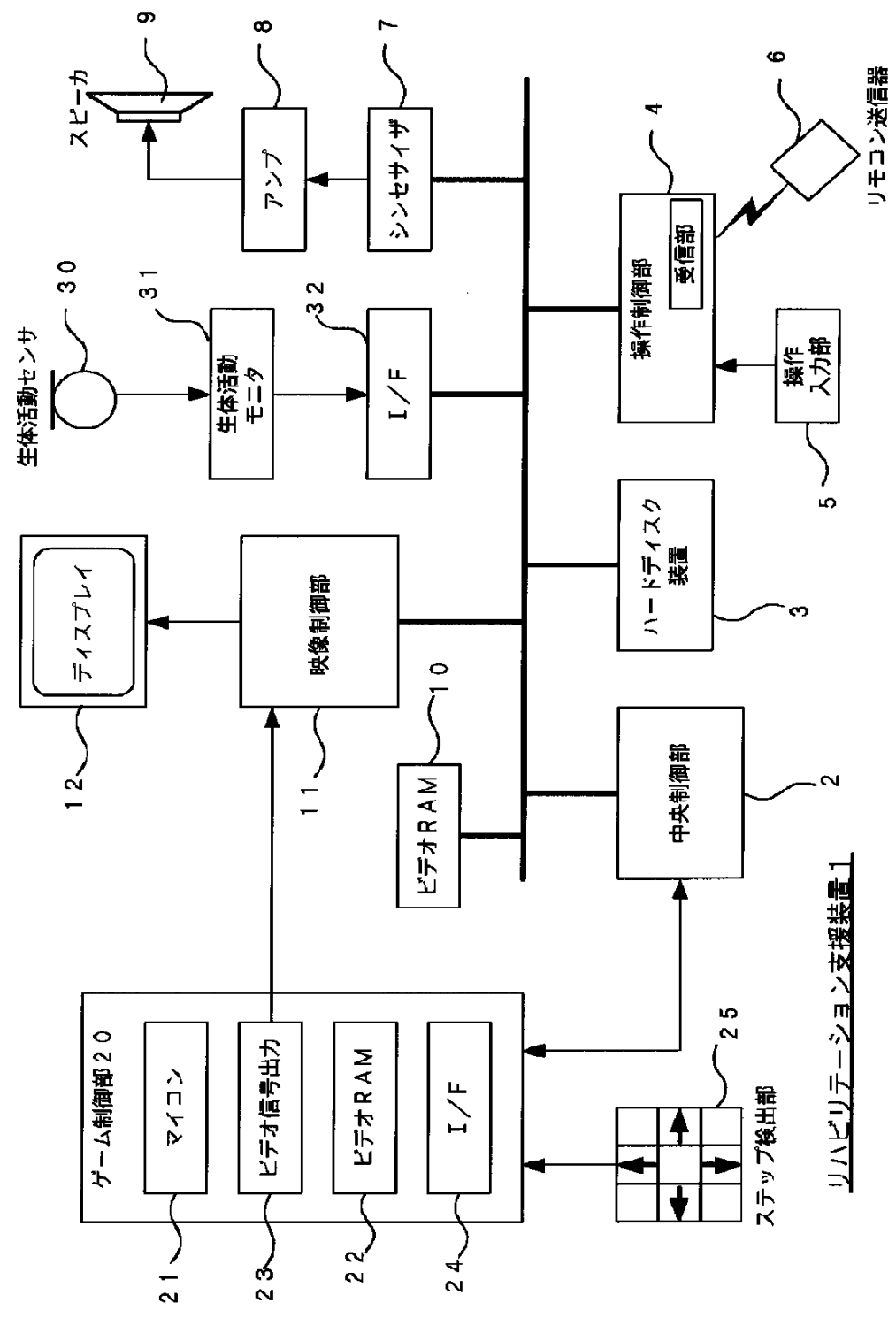
6

y O O Q R z X e b v w 6  
) C R < N " " Ø X e b v w 6  
Ø B } Q " » X e b v w 6  
‡ Ø B { { E n † ~ A 6  
Ø B X { ~ n L A e w f f [ ^ " 6  
æ i " " A X e b v 6  
« X e b v " ° u " v u ° u v 6  
u ¶ v " E . Y v u ° u v 6  
f P A u O O O P v O P O P 6  
E f . u O O Ø B u f ~ 6  
K X - g o n A { [ V - " A 6  
[ B " > a l ¶ { E - " A 6  
x Ø A » < ^ † ~ A X e b v 6  
E Ø B ^ ~ f B X v K X S L Q % i X Q . ^ 6  
" ~ f B X v K X S L Q % i X Q . ^ 6  
y O O Q S z X e b v w 6  
Q " A " y K X S L Q % i X Q . ^ 6  
w f f · Ø B Q [ ~ q s l ~ K X Q . ^ 6  
e Q S f f [ ^ q s l ~ K X Q . ^ 6  
y ~ † > B Q [ † " ° u f [ ^ 6  
~ fl Ø e X fl œ b v } C R e b v u X e 6  
y † > O O Q T z } C R e b v u X e 6  
¥ ~ ~ « X e b v ° u v » 6  
Ø j > / " X e b v ° u v » 6  
n > } b r f A ) R " » ¥ ~ F v ° u 6  
g " † E B P ... " X e b v ° u 6  
E Ø B P ... " X e b v ° u 6  
S ~ † B

y	O	O	Q	U	z	}	C	R	Q	P	德
t				s		~	o	"	•	Ø	摩
f	f	[	^				.	~	"		摩
	æ	]	^	~	P	'	^	'	I		摩
u	f	[	^	»	Ⓔ		L	L	L		摩
^	~		^	¢	~	r	f	I	q	'	摩
>	B	»	Ⓔ		'	~	A	X	e	b	摩
	[	¥	f	摩							
y	O	O	Q	V	z		差				
Q	[	S			Q	O		}	C	R	摩
	¥	f			s		~	A	Q		摩
	p	"	¥		«	X	e	b	v		摩
S	°	u	i	o	°	e	b	v	o		摩
	S			Q	'				»		摩
	L			"	Y			M	w	f	摩
Ⓔ	.	—	~	~	Z	~	¢	>	B		摩
f		~	~	~	»			—			摩
	«		—	~	-	A		—	o		摩
C	P	Q	¥	摩							
y	O	O	Q	W	z				n	r	摩
"	a	A	{	{	Ⓔ			n	r		摩
~	A	e	¥	<	†	~		fi			摩
n	¢	~	A	-	Ⓔ		e	¥	<	"	摩
r	e	[	V			x			u	~	摩
e	[	V				K	p	Ⓔ			
y	O	O	Q	X	z	n	r	e	[	摩	
j	Ø	¢	"	a	t	"				摩	
"	A	a	t	j	"				T		



Y ) 圖



リハビリテーション支援装置 1



t g y W

(51) Int. Cl.<sup>7</sup>  
U B 1/02

fl ° L

e h  
U B 1/02

e [ ] Q i  
m

(72) >

"  
s i k